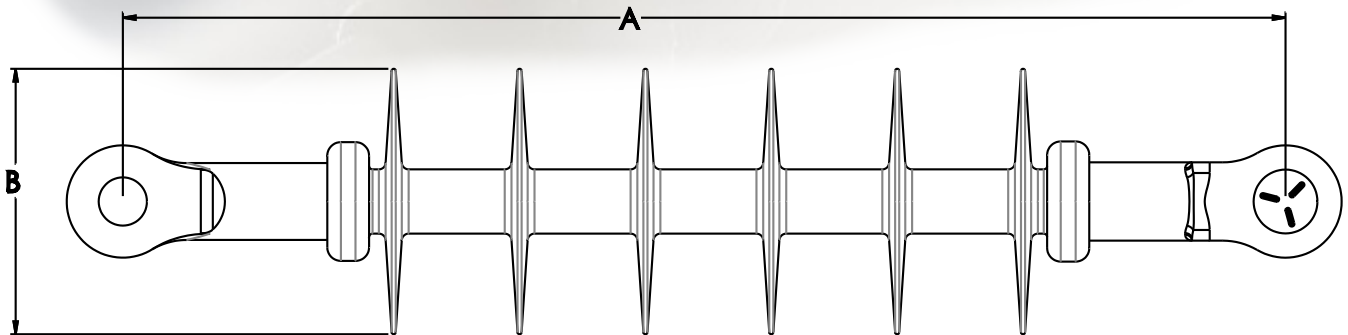




FIBERGLASS DEAD-END INSULATORS

ALUMA-FORM®

- 100% Silicone Sheds for corrosion resistance
- Solid Fiberglass Core
- All ratings meet or exceed the requirements of ANSI C29.13



Characteristic	Units	DEI-15	DEI-28	DEI-25/35	DEI-35
Dim. 'A'	in.	13.6	17.4	19.5	21.8
Dim. 'B'	in.	4.0	4.0	4.8	4.8
Leakage Distance	in.	15.7	23.6	33.5	37.6
AC Withstand (Dry)	kV	90	130	145	170
AC Withstand (Wet)	kV	65	100	130	155
CFO (Pos.)	kV	140	190	250	280
Tensile (Ultimate)	lbs.	15,000	15,000	15,000	15,000
Weight	lbs.	3.3	3.9	5.6	5.9

Notes:

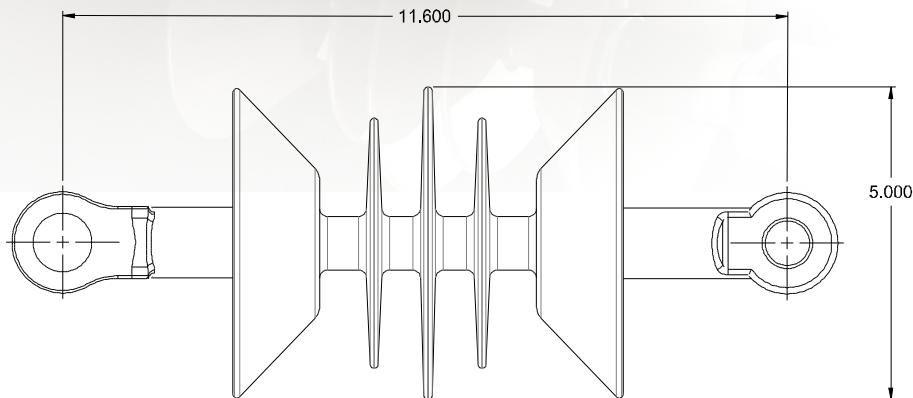
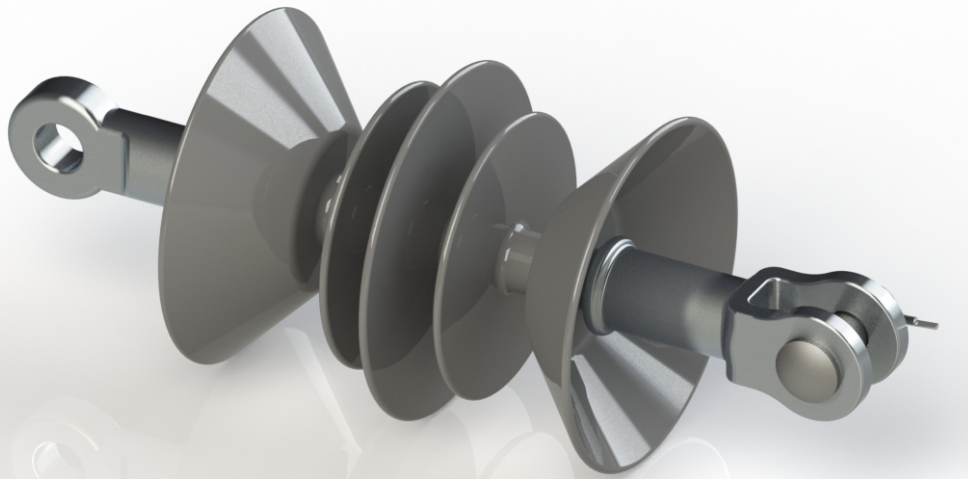
Add "-H" for Hex Pin Option (e.g. DEI-35-H)
Add "-M" for Marine Grade Option (e.g. DEI-35-M)



FIBERGLASS DEAD-END INSULATORS

ALUMA-FORM®

- 100% Silicone Sheds for corrosion resistance
- Solid Fiberglass Core
- All ratings meet or exceed the requirements of ANSI C29.13



Characteristic	Units	DEI-28-EP
Leakage Distance	in.	23.6
AC Withstand (Dry)	kV	130
AC Withstand (Wet)	kV	100
CFO (Pos.)	kV	190
Tensile (Ultimate)	lbs.	15,000
Weight	lbs.	3.9